

Tanaka Illustrated Parts Manual

Model Number:

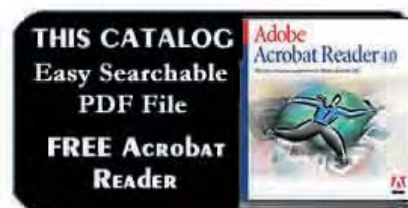
TPS-260PF

POLE SAW

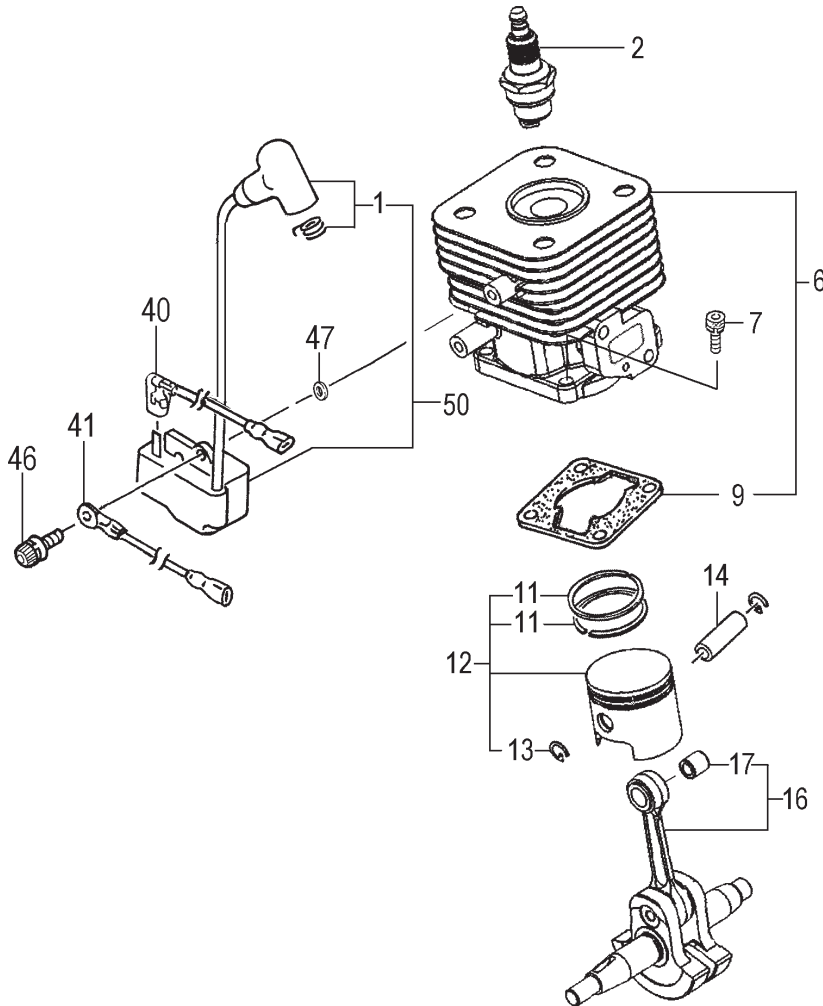
P/N 40866

Rev 000

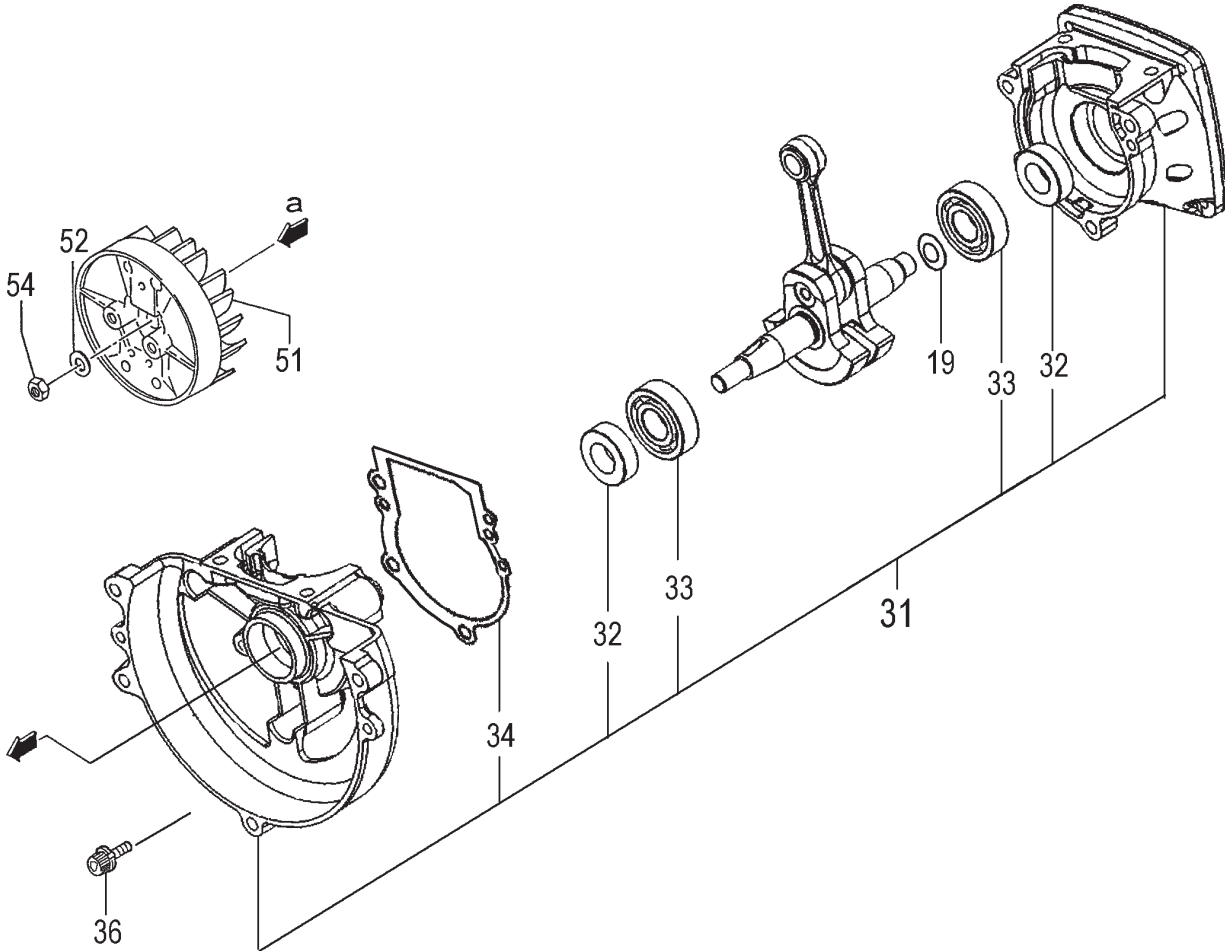
Date 3-10-08



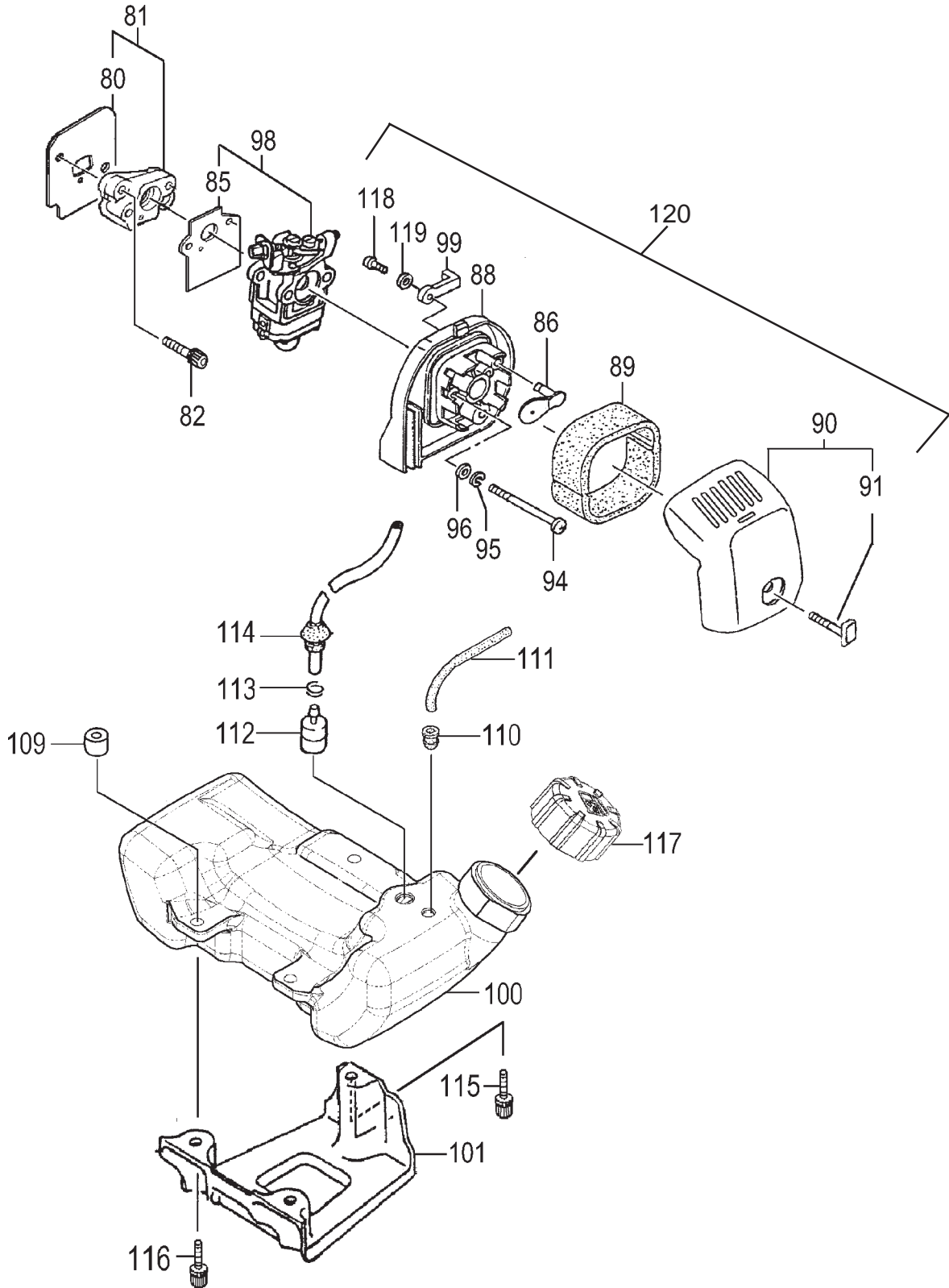
Nikko Tanaka Engineering U.S.A.,Ltd. • 1028 4th Street SW, Bldg B • Auburn, WA 98001 • Phone: (253) 333-1200 • Fax: (253) 333-1212



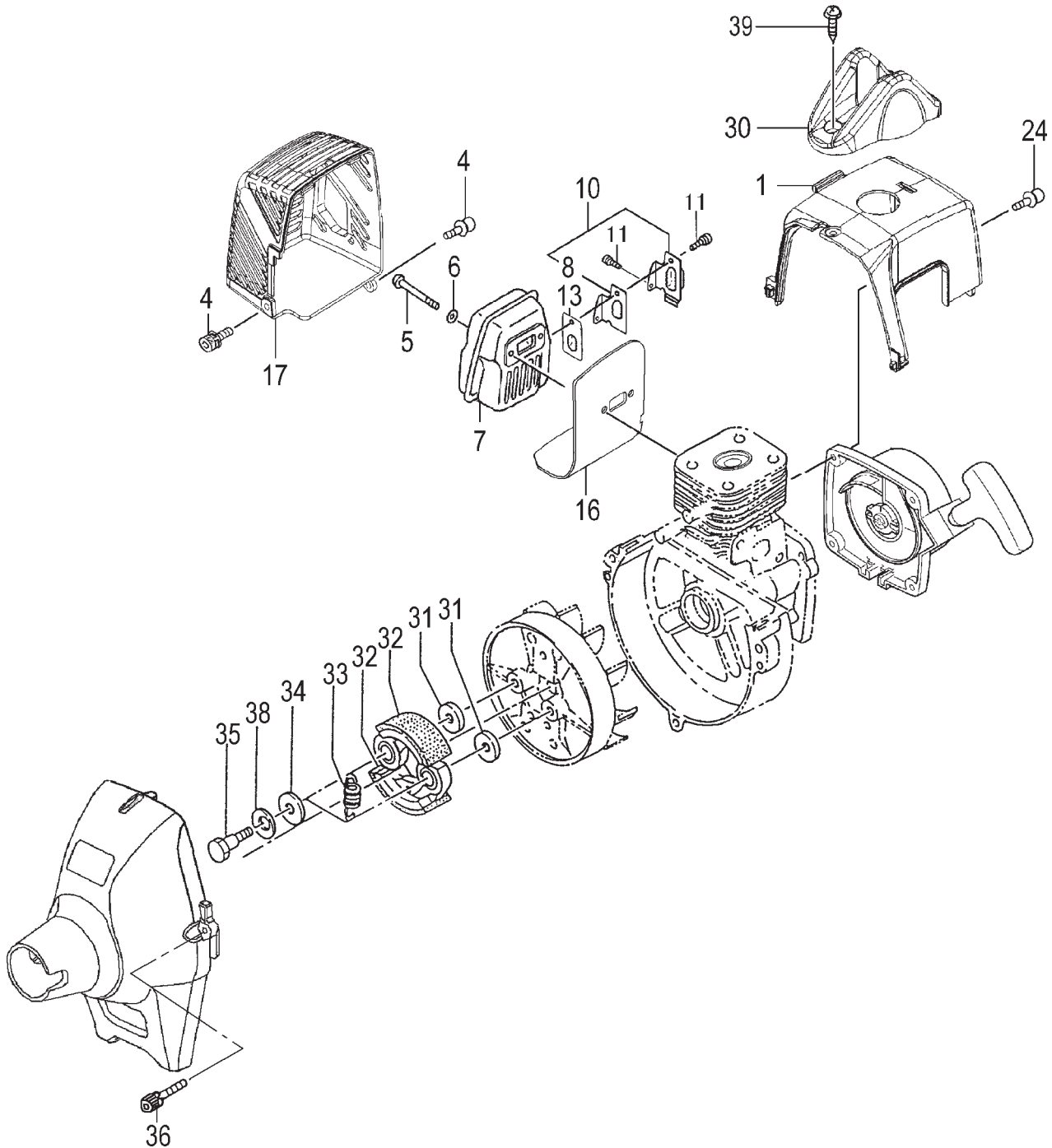
ITEM	PART NUMBER	DESCRIPTION	QTY	COMMENTS
1-1	1570168090	CAP, SPARK PLUG ASS'Y	1	
1-2	01802233200	PLUG, SPARK	1	
1-6	0010760090	CYLINDER SET	1	Includes gasket
1-7	99461050184	BOLT, HEX, 5X18, S	4	
1-9	0170735020	GASKET, CYLINDER	1	
1-11	04101601200	RING, PISTON	2	
1-12	0300750090	PISTON SET	1	Includes rings and circlips
1-13	03901620200	CIRCLIP, PISTON PIN	2	
1-14	0370704520	PIN, PISTON	1	
1-16	0460735082	CRANKSHAFT	1	
1-17	99962081225	BEARING, NEEDLE, F-810	1	
1-45	1910168090	WIRE, LEAD ASS'Y	1	
1-46	99464040184	BOLT, HEX 4x18WS	2	
1-47	1820186A201	WASHER, SPECIAL	2	
1-50	1672101090	COIL, IGNITION	1	



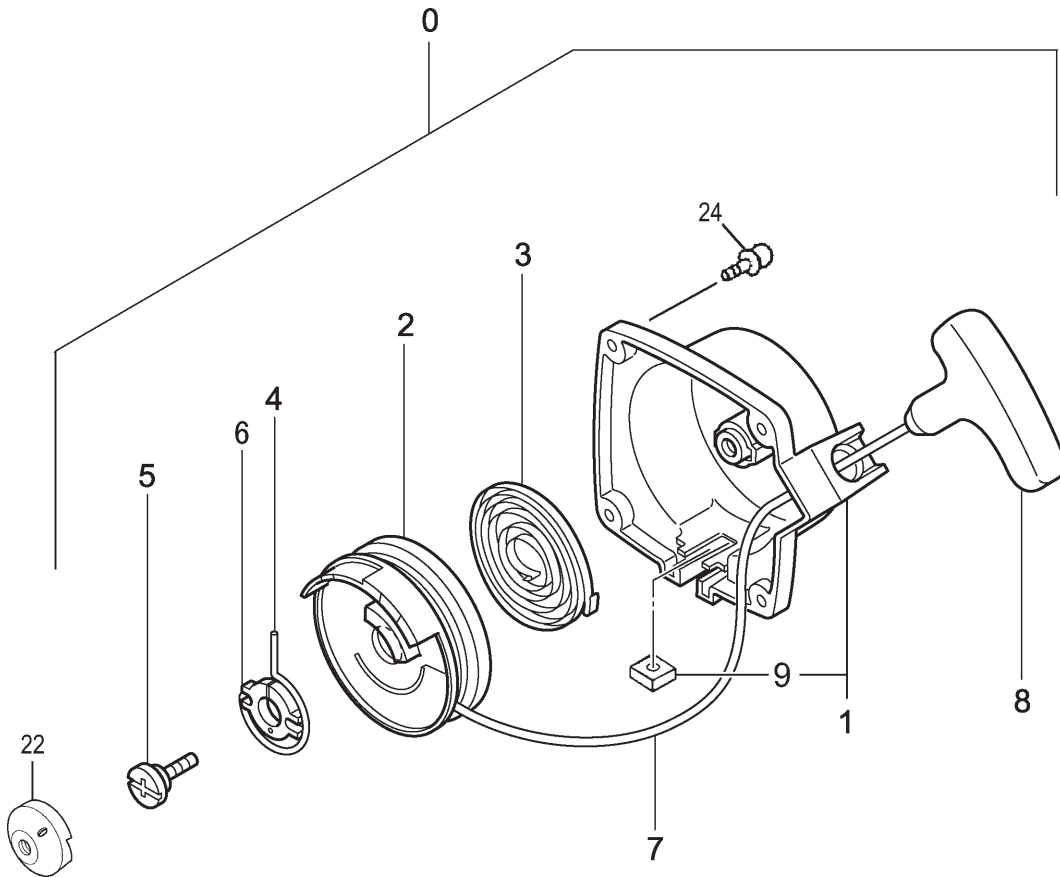
ITEM	PART NUMBER	DESCRIPTION	QTY	COMMENTS
2-19	33000200230	SHIM,12.2X19X.20	1	Includes bearings, seals and gasket
2-19	33000200240	SHIM,12.2X19X.30	1	
2-31	0720304593	CRANKCASE ASSY	1	
2-32	99966122206	SEAL,OIL,#TC12227	2	
2-33	99961600115	BEARING,BALL,6001 C3	2	
2-34	0900735022	GASKET,CRANKCASE	1	
2-36	99461050164	BOLT,HEX,5X16,S	4	
2-51	1552101281	FLYWHEEL	1	
2-52	99201080011	WASHER,8	1	
2-54	99101080011	NUT,8	1	



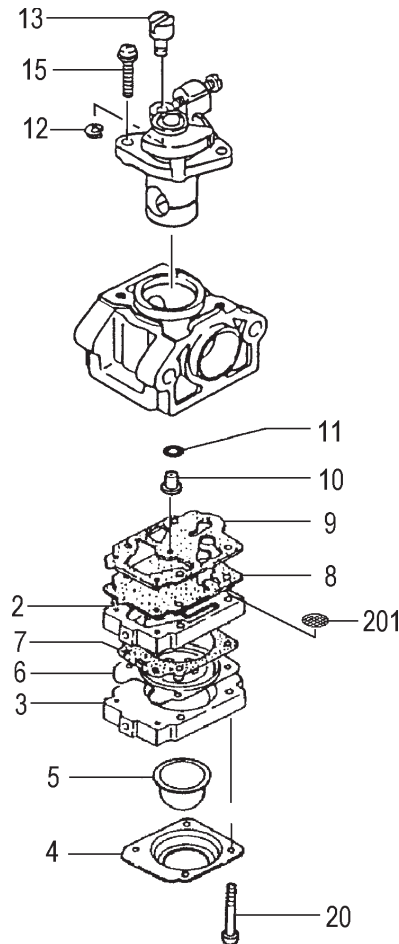
ITEM	PART NUMBER	DESCRIPTION	QTY	COMMENTS
3-80	4030702021	GASKET,INLET MANIFOLD	1	
3-81	4040702091	INSULATOR SET	1	Includes gasket
3-82	99464050254	BOLT,HEX HOLE,5X25WS	2	
3-85	4020656A200	GASKET	1	
3-86	5280652N22	PLATE,CHOKE,2.0	1	
3-88	4230652N80	BODY,AIR CLEANER	1	
3-89	4460652N20	CLEANER,ELEMENT	1	
3-90	4520304690	COVER,AIR CLEANER ASSY	1	
3-91	4500702480	BOLT,CLEANER COVER	1	
3-94	99011050552	SCREW,5X55	2	
3-95	99210050012	WASHER,S,5	2	
3-96	99200050011	WASHER,SMALL,5	2	
3-98	4550304590	CARBURETOR SET	1	Includes gasket
3-99	5230652N20	LEVER,CHOKE	1	
3-100	5910735022	TANK,FUEL,WHITE	1	Should be evapo?
3-101	9400735020	STAND	1	
3-109	6590430020	COLLAR,C	3	
3-110	53432710200	GROMMET,FUEL PIPE	1	
3-111	70003005062	PIPE,FUEL,3X5X62	1	
3-112	6750404280	FILTER,FUEL	1	
3-113	68000731201	CLIP 6.3	1	
3-114	2230162V900	PIPE,FUEL,ASS'Y	1	
3-115	99464050255	BOLT,HEX,5x25WS	1	
3-116	99463050204	BOLT,HEX 5X20	2	
3-117	5950300290	CAP,TANK (BLACK/RED)	1	
3-118	99075040154	SCREW,TAPPING,4X15	1	
3-119	99201040011	WASHER,4	1	



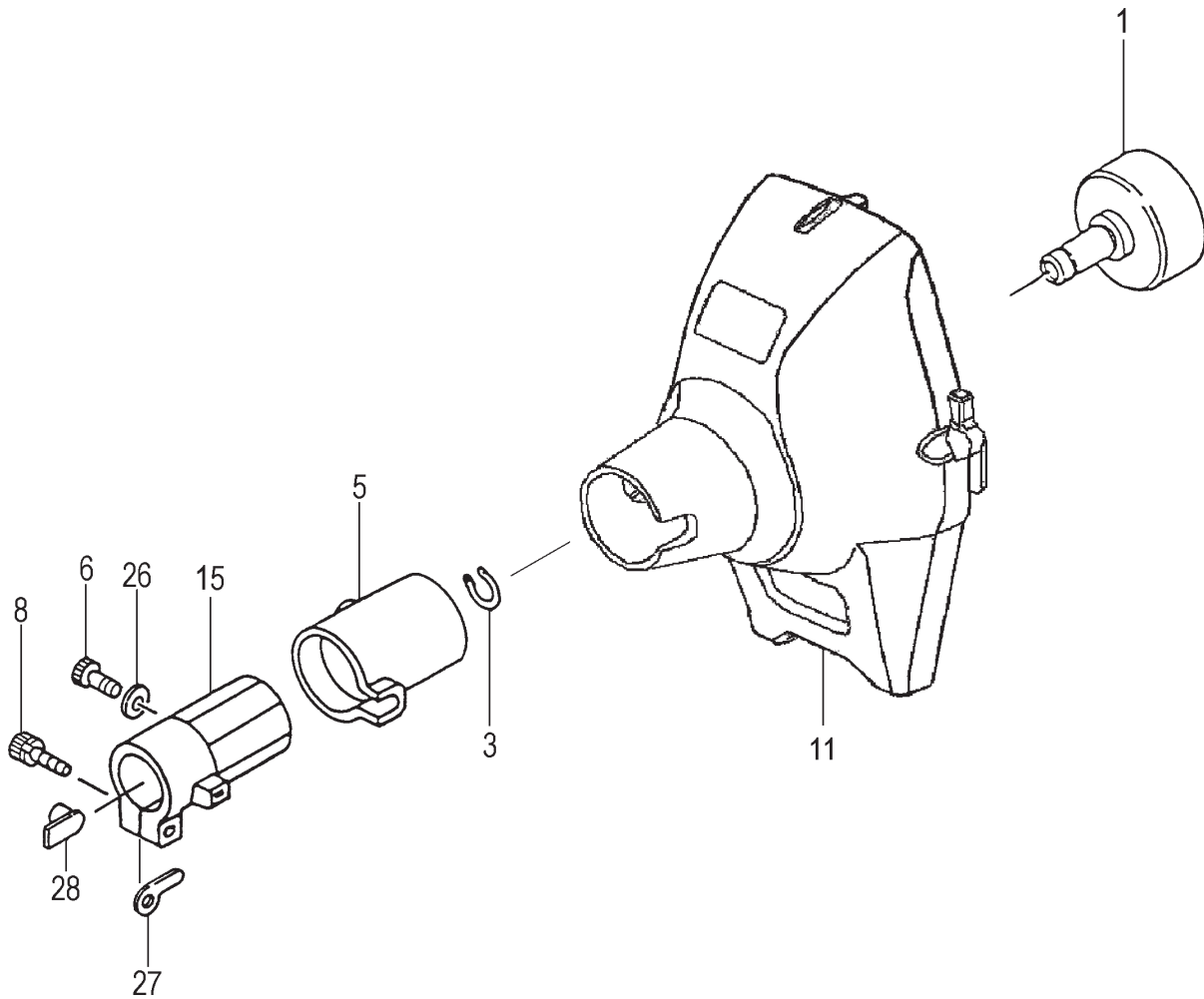
ITEM	PART NUMBER	DESCRIPTION	QTY	COMMENTS
4-1	0160750020	COVER,CYLINDER	1	
4-4	99463050164	BOLT,HEX,5X16,PS	2	
4-5	99051060653	BOLT,HEX,6x65	2	
4-6	99201060011	WASHER,6	2	
4-7	7060750080	MUFFLER	1	
4-8	7510725020	GASKET,MUFFLER	1	
4-10	7340725590	TAIL PIPE SET	1	
4-11	99436040081	SCREW,4X18WS	2	
4-13	7320725020	ARRESTER,SPARK	1	
4-16	1330750020	SHIELD,HEAT	1	
4-17	7380750020	COVER,MUFFLER	1	
4-24	99464040185	BOLT,HEX,4x18WS	2	
4-30	2570304520	PROTECTOR,SPARK PLUG	1	
4-31	35902103200	WASHER,CLUTCH,B	2	
4-32	29001620800	SHOE,CLUTCH	2	
4-33	3420630B200	SPRING,CLUTCH	1	
4-34	3480630A20	PLATE,CLUTCH	2	
4-35	3570075T200	BOLT,STEP	2	
4-36	99463050204	BOLT,HEX 5X20	3	
4-38	99205080030	WASHER,8	2	
4-39	99072045164	SCREW,TAPPING,4.5X16	1	



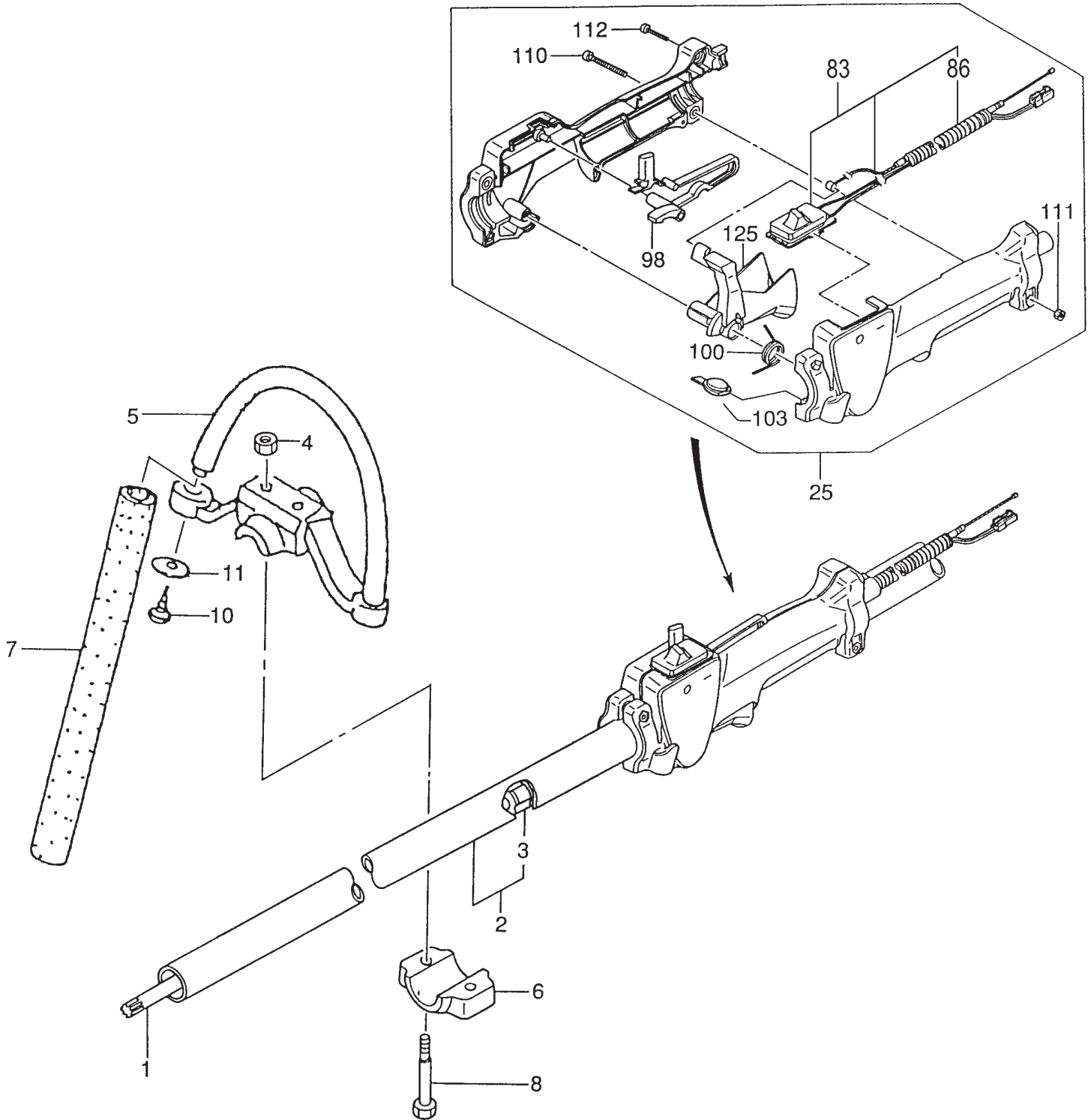
ITEM	PART NUMBER	DESCRIPTION	QTY	COMMENTS
5-0	7620304590	STARTER ASS'Y	1	
5-1	7720304580	BODY,STARTER	1	
5-2	7740304520	PULLEY,STARTER	1	
5-3	7790304520	SPRING,RECOIL	1	
5-4	7770304520	ARM,SWING	1	
5-5	8390304520	SCREW,SET	1	
5-6	7710304520	STAY,PULLEY	1	
5-7	7830304520	ROPE,STARTER	1	
5-8	7850304520	HANDLE,STARTER	1	
5-9	3153334020	NUT,SPECIAL 5MM	1	
5-22	7980304520	PULLEY,STARTER	1	
5-24	99464040185	BOLT,HEX,4x18WS	4	



ITEM	PART NUMBER	DESCRIPTION	QTY	COMMENTS
6-0	4550304590	CARBURETOR SET	1	Includes gasket
6-2	5752515380	BODY,PUMP	1	
6-3	4422515180	PUMP,PRIMING	1	
6-4	4762515120	COVER,DIAPHRAGM	1	
6-5	44725108200	BULB,PRIMING	1	
6-6	~ ~ ~	DIAPHRAGM,METERING	1	Included in Carb Kit #650.25124.90
6-7	~ ~ ~	GASKET,DIAPHRAGM	1	(items not available individually)
6-8	~ ~ ~	DIAPHRAGM,PUMP	1	
6-9	~ ~ ~	GASKET,PUMP	1	
6-10	5992001W38	JET,MAIN LONG #38	1	
6-11	55025100200	O-RING	1	
6-12	48925100200	RING,STOP	1	
6-13	53925120200	SWIVEL	1	
6-15	51425100200	SCREW,THROTTLE SET	1	
6-16	54425164200	STAY,ADJUST,CABLE	1	
6-17	99101060013	NUT,6	1	
6-18	61425137200	ADJUSTER,CABLE	1	
6-19	4310634C200	GASKET,CLEANER	1	
6-20	5482515120	SCREW,SET	4	
6-21	5492516520	WASHER,THRUST	1	
6-201	57825007200	SCREEN,INLET	1	

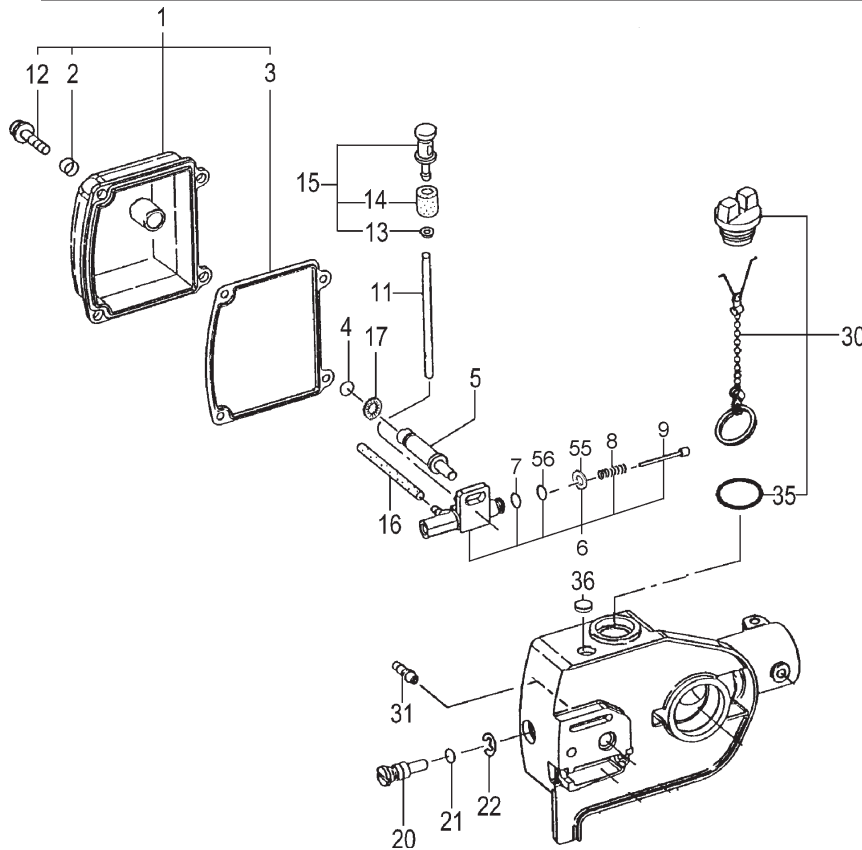


ITEM	PART NUMBER	DESCRIPTION	QTY	COMMENTS
7-1	2890307080	DRUM, CLUTCH	1	
7-3	99350012002	RING, STOP, C-12 EX	1	
7-5	5990098021	CUSHION, RUBBER	1	
7-6	99051050163	BOLT, HEX, 5X16	1	
7-8	99461050254	BOLT, HEX HOLE, 5X25S	1	
7-11	1120304580	CASE, FAN	1	Includes bearing
7-15	3600099620	PIPE HOLDER	1	
7-26	99201050061	WASHER, 5	1	
7-27	3243735020	WASHER, GEAR CASE	1	
7-28	3610099020	FITTING, METAL	1	



THROTTLE LEVER, HANDLE, DRIVE SHAFT • FIGURE 8

ITEM	PART NUMBER	DESCRIPTION	QTY	COMMENTS
8-1	3433234620	SHAFT,DRIVE	1	
8-2	3413230480	PIPE,DRIVE SHAFT	1	
8-3	3473836090	BUSHING	6	
8-4	99101060041	NUT,6	2	
8-5	5003728620	HANDLE	1	
8-6	50637300200	BRACKET,HANDLE,A	1	
8-7	5033738E20	GRIP,HANDLE	1	
8-8	99423060432	BOLT,6X43	2	
8-10	99311052012	SCREW,TAPPING 5X20	1	
8-11	36832350200	WASHER,BRAKE SHAFT	1	
8-25	8703840290	LEVER,THROTTLE ASS'Y	1	
8-83	8853840080	WIRE,THROTTLE W/SWITCH	1	
8-86	1640701750	TUBE,PROTECTION,7X175	1	
8-98	2533840020	LEVER,SAFETY	1	
8-100	8323840020	SPRING,RETURN	1	
8-103	3223840020	GROMMET	1	
8-110	99431050203	SCREW 5X20	2	
8-111	99101050043	NUT,5	2	
8-112	9934604020	SCREW,4X20	4	
8-125	8803840020	LEVER,THROTTLE	1	

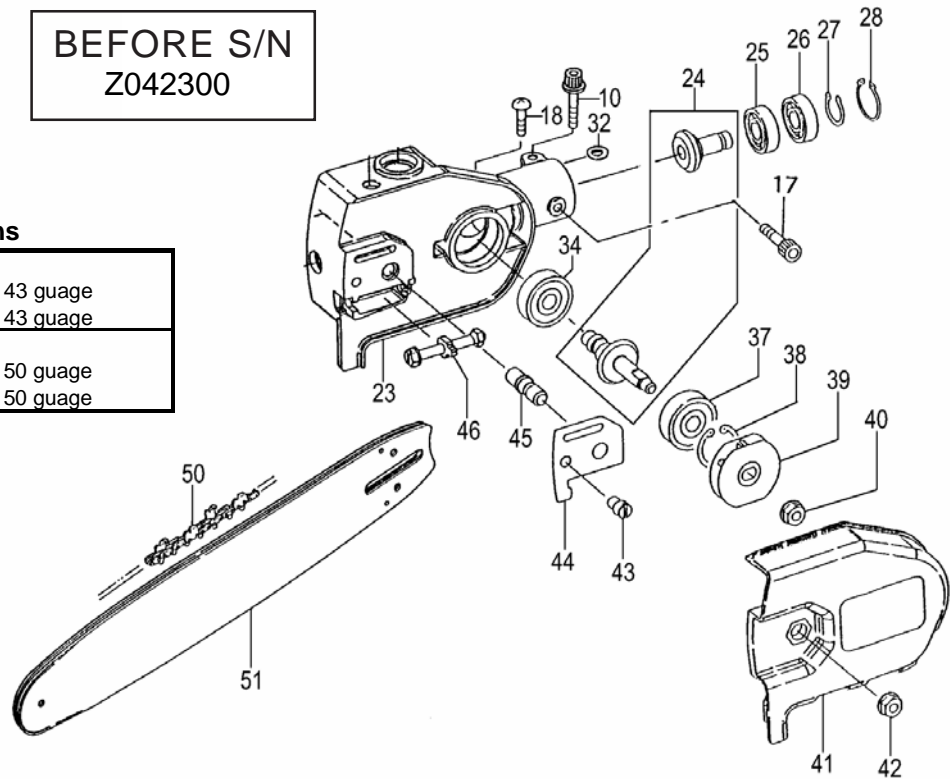


ITEM	PART NUMBER	DESCRIPTION	QTY	COMMENTS
9-1	0413230400	OIL TANK COVER SET	1	
9-2	0313230420	COLLAR 3	4	
9-3	4223230421	GASKET,OIL TANK	1	
9-4	99967005000	O-RING,P5	1	
9-5	3823230420	BOLT,STEP,A	1	
9-6	1443230490	OIL PUMP ASSY	1	
9-7	99967005000	O-RING,P5	1	
9-8	4493230420	SPRING,OIL PUMP	1	
9-9	0733230481	PISTON,OIL PUMP	1	
9-11	7005300506	PIPE,FUEL 3X5X60	1	
9-12	99416040121	SCREW,4X12	4	
9-13	99201050011	WASHER,5	1	
9-14	48732712201	FILTER,OIL	1	
9-15	4863234590	FILTER ASSY,FINE MESH	1	
9-16	7005300507	PIPE,FUEL 3X5X75	1	
9-17	9923008000	NUT,PUSH	1	Y161651~
9-20	5013230421	ADJUSTER,OIL PUMP	1	
9-21	99967005000	O-RING,P5	1	
9-22	99355060001	RING,STOP,6	1	
9-30	6243230492	CAP,OIL TANK	1	
9-31	0823230420	BANJO,OIL PUMP	1	
9-35	99967015000	O-RING,P15	1	
9-36	5660406320	COVER,AIR VENT	1	~U231876
9-55	99201020011	WASHER,2	1	V196951~
9-56	99967001413	O-RING	1	V196951~

BEFORE S/N
Z042300

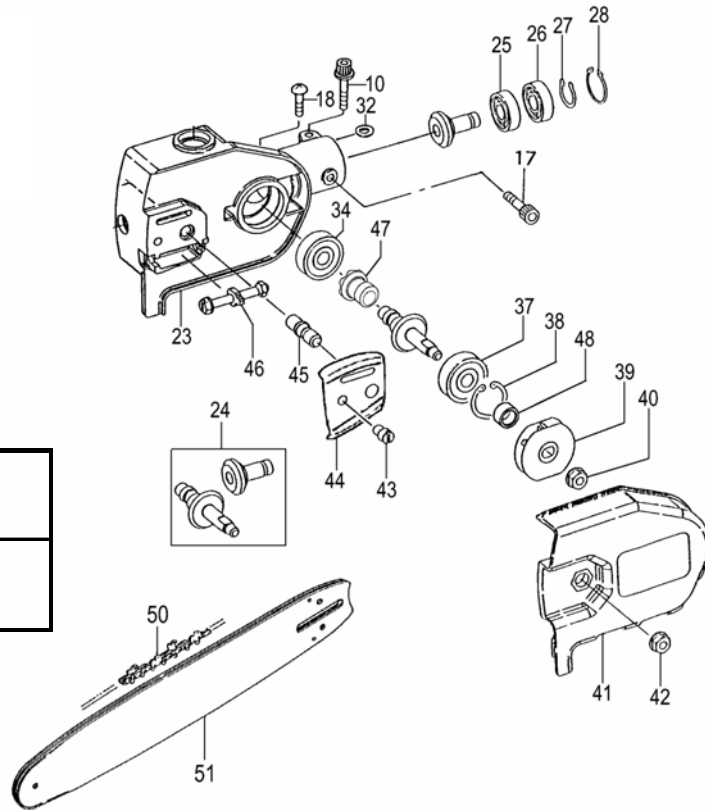
Bar & Chain Options

N/A	10" Bar & Chain Kit	
110.32304.20	10" Bar	43 guage
127.32304.20	10" Chain	43 guage
Part No 844001	12" Bar & Chain Kit	
120SDEA041	12" Bar	50 guage
91VG045X	12" Chain	50 guage



ITEM	PART NUMBER	DESCRIPTION	QTY	COMMENTS
10-10	99461050224	BOLT,HEX HOLE 5x22/S	1	
10-17	99051050103	BOLT,HEX.HOLE,5X10	1	
10-18	99011060061	SCREW,6X6	1	~V095519
10-18	99431060081	SCREW,6X8	1	V095520~
10-23	0193230420	CASE,GEAR	1	~U231876
10-23	0193230422	CASE,GEAR	1	U231877~
10-24	3013230400	SET,GEAR,PINION	1	
10-25	99961609000	BEARING,BALL,#609	1	
10-26	99961609002	BEARING,BALL,#609Z	1	
10-27	99350009002	RING,STOP,C9	1	
10-28	99351024002	RING,STOP,C-24,IN	1	
10-32	78600601200	WASHER,RECOIL STARTER	1	
10-34	99961608000	BEARING,BALL,#608	1	
10-37	99961638002	BEARING,BALL 638Z	1	
10-38	99351028002	RING,STOP,IN,C-28	1	
10-39	3193230480	SPROCKET,3/8	1	
10-40	99182060001	NUT,FLANGE,6	1	
10-41	0393230480	COVER,SIDE	1	
10-42	12132600200	NUT,CLAMP,BAR	1	
10-43	1223230420	PIN,KNOCK,GUIDE BAR	1	
10-44	4613230420	PLATE,GUIDE	1	
10-45	1013230420	BOLT,GUIDE BAR	1	
10-46	1163230490	TENSIONER,CHAIN	1	
10-50	1273230420	CHAIN,10"	1	
10-51	1103230420	BAR,10"	1	

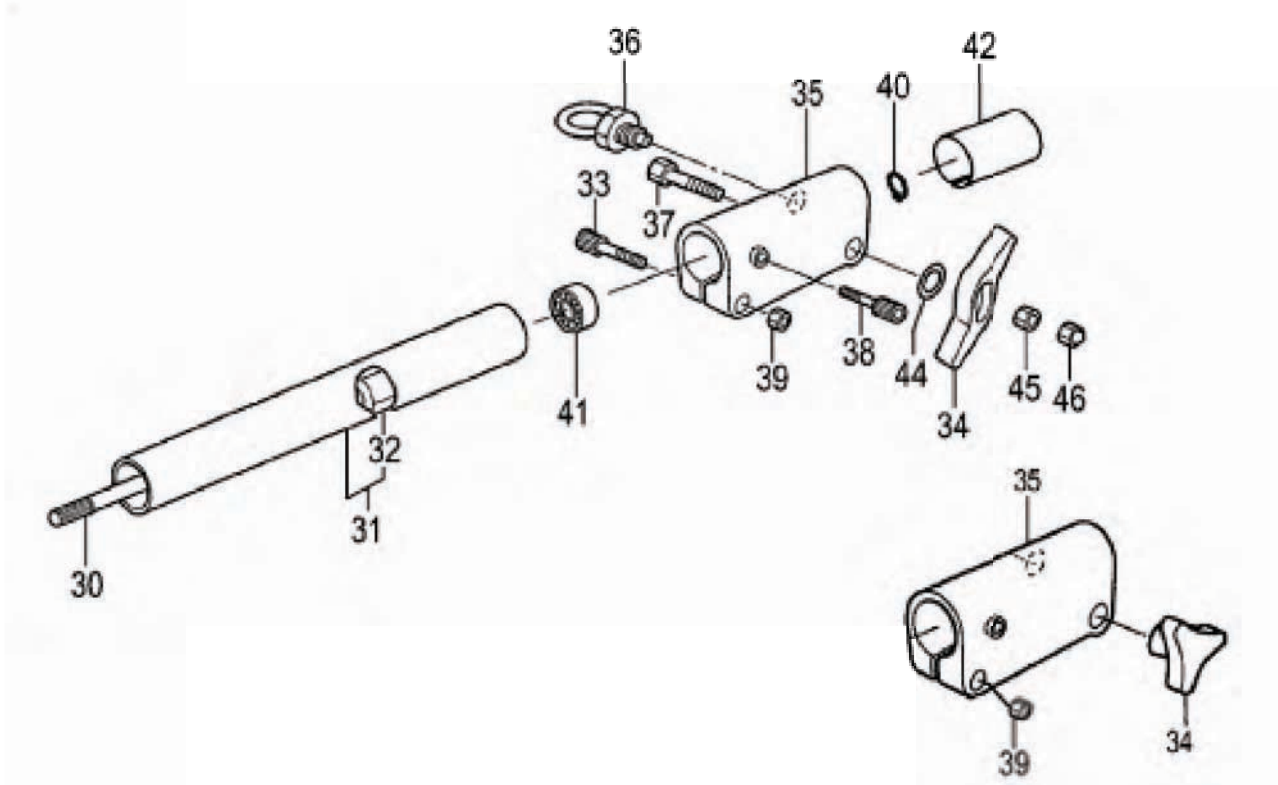
After Serial Number
Z042301



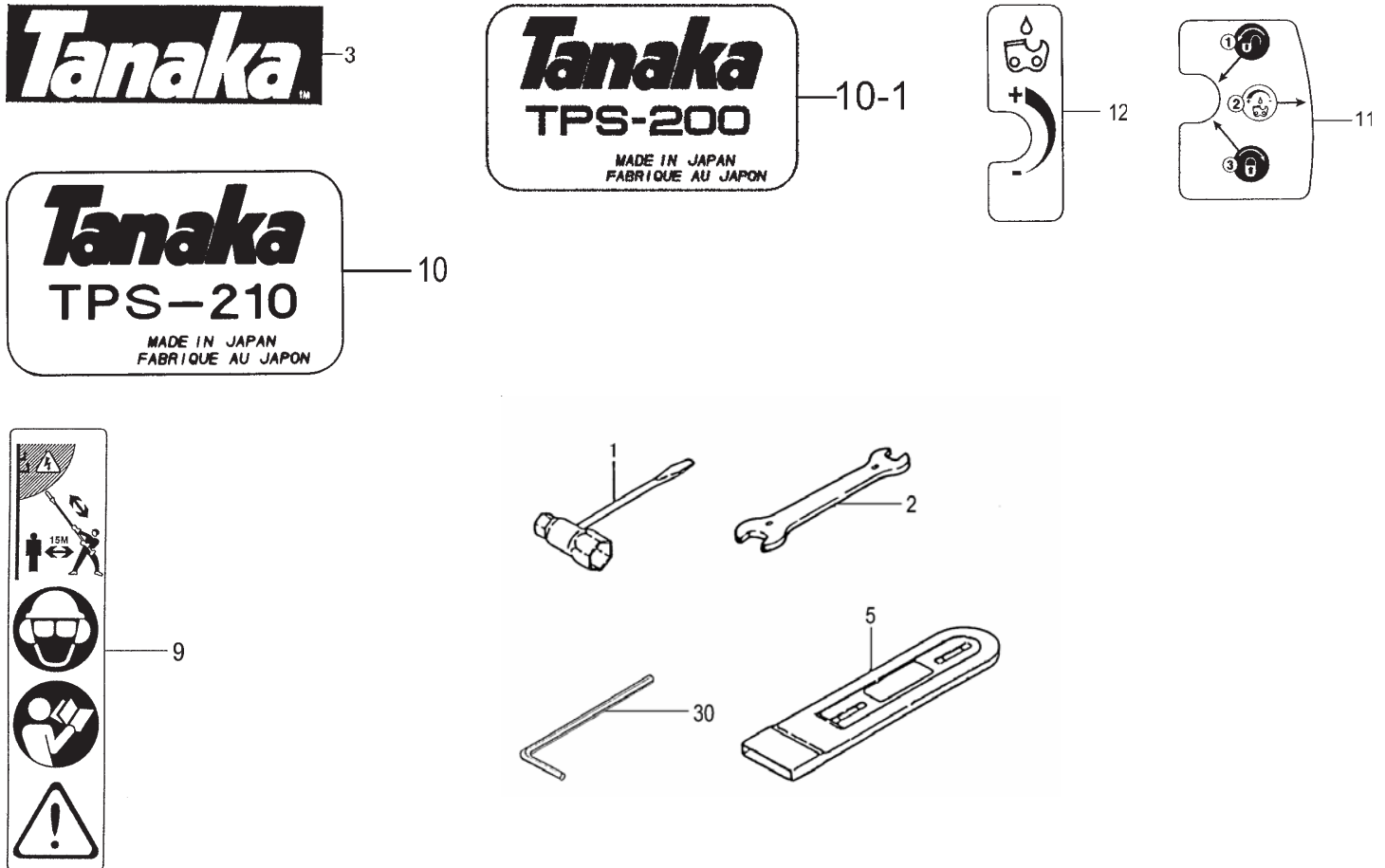
Bar & Chain Options

N/A	10" Bar & Chain Kit	
110.32304.20	10" Bar	43 guage
127.32304.20	10" Chain	43 guage
Part No 844001	12" Bar & Chain Kit	
120SDEA041	12" Bar	50 guage
91VG045X	12" Chain	50 guage

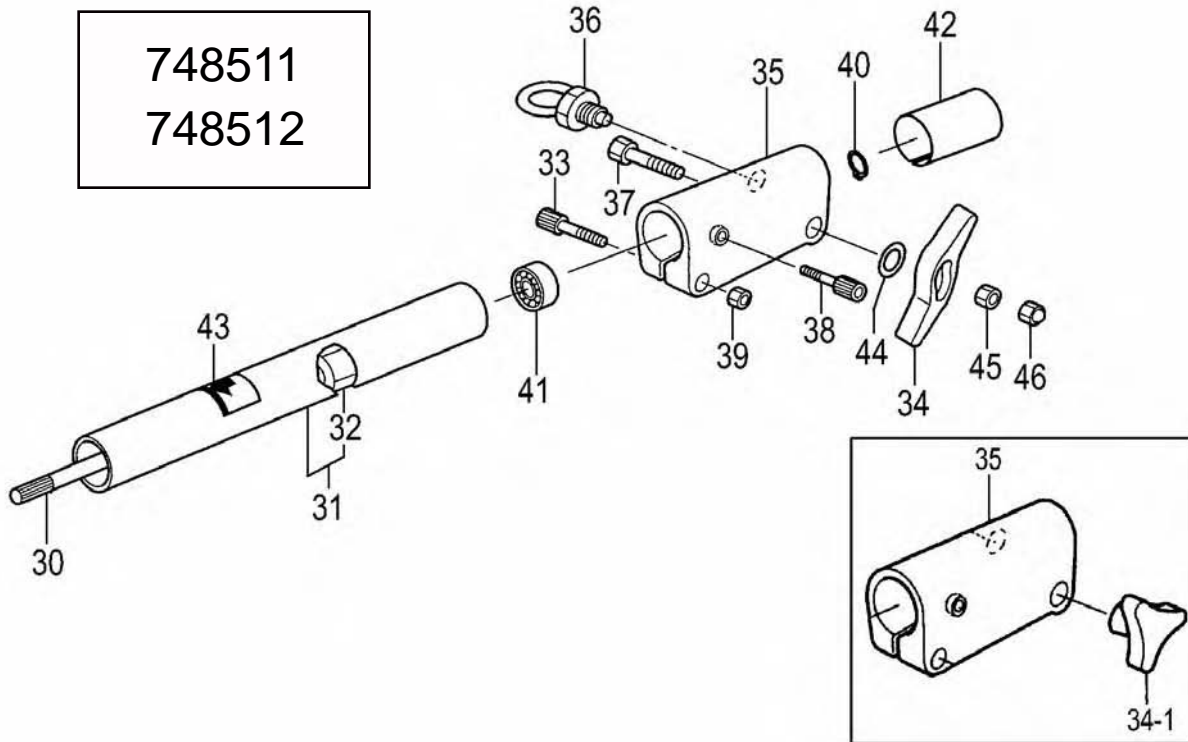
ITEM	PART NUMBER	DESCRIPTION	QTY	COMMENTS
11-10	99461050224	BOLT,HEX HOLE 5x22/S	1	
11-17	99051050103	BOLT,HEX.HOLE,5X10	1	
11-18	99431060081	SCREW,6X8	1	
11-23	0193230422	CASE,GEAR	1	
11-24	3013234400	GEAR & PINION SET	1	
11-25	99961609000	BEARING,BALL,#609	1	
11-26	99961609002	BEARING,BALL,#609Z	1	
11-27	99350009002	RING,STOP,C9	1	
11-28	99351024002	RING,STOP,C-24,IN	1	
11-32	78600601200	WASHER,RECOIL STARTER	1	
11-34	99961627000	BEARING,BALL	1	
11-37	99961638002	BEARING,BALL 638Z	1	
11-38	99351028002	RING,STOP,IN,C-28	1	
11-39	3193230480	SPROCKET,3/8	1	
11-40	99182060001	NUT,FLANGE,6	1	
11-41	0393230480	COVER,SIDE	1	
11-42	12132600200	NUT,CLAMP,BAR	1	
11-43	1223234421	KNOCK PIN	1	
11-44	4613234420	PLATE,GUIDE	1	
11-45	1013234421	BOLT,CHAIN TIGHTENING	1	
11-46	1163230490	TENSIONER,CHAIN	1	
11-47	4523234420	CAM	1	
11-48	0313234420	COLLAR	1	
11-50	1273230420	CHAIN,10"	1	
11-51	1103230420	BAR,10"	1	



ITEM	PART NUMBER	DESCRIPTION	QTY	COMMENTS
12-30	3433233180	SHAFT,DRIVE	1	
12-31	3413233180	PIPE,DRIVE SHAFT	1	
12-32	34737601900	BUSHING	1	
12-33	99461050254	BOLT,HEX HOLE,5X25S	1	
12-34	5123370081	KNOB,HANDLE	1	Before S/N V021700
12-34	5123338P20	KNOB,HANDLE	1	S/N V021701 and after
12-35	2803233120	CASE,JOINT	1	
12-36	3523233180	PIN,LOCK	1	
12-37	99021060351	BOLT,6X35	1	Before S/N V021700
12-37	99021060501	BOLT,6X50	1	S/N V021701 and after
12-38	99051050103	BOLT,HEX.HOLE,5X10	1	
12-39	99101050041	NUT,5	1	
12-40	99350010002	RING,STOP,C-10 EX	1	
12-41	99961690001	BEARING,BALL,#6900ZZ	1	
12-42	34833130200	COLLAR,B	1	
12-44	35902103200	WASHER,CLUTCH,B	1	S/N V021701 and after
12-45	99101060011	NUT,6	1	S/N V021701 and after
12-46	99143060023	NUT,6	1	S/N V021701 and after



ITEM	PART NUMBER	DESCRIPTION	QTY	COMMENTS
13-1	88332600200	SPANNER,COMBO	1	
13-2	80120000200	SPANNER,8X10	1	V095520~
13-3	91505015200	DECAL,SYMBOL	1	
13-5	9413233320	COVER,BAR,10",BLACK	1	
13-9	9073230420	DECAL	1	
13-10	9293249820	DECAL,TPS-210	1	Z042301~
13-10-1	9293233120	DECAL,SYMBOL,TPS-200	1	~Z042300
13-11	9223234520	DECAL,OIL ADJUSTMENT	1	
13-12	9213234520	DECAL,OIL	1	
13-30	81320000200	WRENCH,HEX,4	1	



ITEM	PART NUMBER	DESCRIPTION	24"	36"	COMMENTS
14	3433233180	SHAFT,DRIVE	1		
14	3433003980	SHAFT,DRIVE		1	
14	3413230881	PIPE,DRIVE SHAFT	1		~9085369
14	3413230882	PIPE,DRIVE SHAFT	1		9085370~
14	3413003980	PIPE,DRIVE SHAFT		1	
14	3473730090	BUSHING ASSY	1		
14	3473730090	BUSHING ASSY		2	
14	99461050254	BOLT,HEX HOLE,5X25S	1	1	
14-1	5123370081	KNOB,HANDLE	1		~5004220
14	5123338P20	KNOB,HANDLE	1	1	5004221~
14	2803233122	COUPLING,TPS	1	1	
14	3523233180	PIN,LOCK	1	1	
14	99021060351	BOLT,6X35	1		~5004220
14	99021060504	BOLT,6X50	1	1	5004221~
14	99051050103	BOLT,HEX.HOLE,5X10	1	1	
14	99101050041	NUT,5	1	1	
14	99350010002	RING,STOP,C-10 EX	1	1	
14	99961690001	BEARING,BALL,#6900ZZ	1	1	
14	3483313020	COLLAR,B	1	1	
14	92337400200	DECAL,LEVEL	1	1	
14	3590210320	WASHER,CLUTCH,B	1	1	
14	99101060011	NUT,6	1	1	5004221~
14	99142060012	NUT,CAP 6	1	1	5004221~